

LAMINATED SHADE FABRIC GUIDELINES

Please read these guidelines carefully when choosing a fabric to be laminated:

Preapproval of fabric:

*Please **do not order fabric** until Atrium has approved it for laminating.

Preparing the fabric:

*Preapproved fabric must be thoroughly pre-shrunk, pressed and rolled onto a cardboard tube;
or our fee for preparing the fabric is \$12/yd (Net)

Types of Fabric:

- *We can laminate to black-out vinyl Pantaflex or light-filtering Solartrans
- *The water-based adhesive we use adheres well to **densely woven natural fibers**. Shear or synthetic fabrics may allow the adhesive to bleed through.
- ***Printed fabrics** and patterns work best for laminating when the repeat is not obvious.
- *Obvious horizontal or vertical lines do not match well at the sides or splices; therefore, **checks and stripes should be avoided**.
- *Silk or raw silk cannot be laminated due to water spotting.

Reverse Roll Shades:

*Laminated shades almost never can be made to reverse roll satisfactorily. Please include valancing with your order in order to conceal the regular roll.

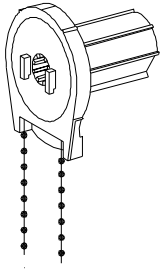
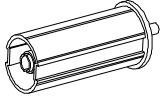
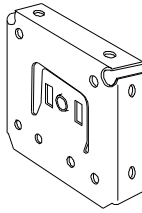
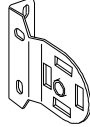
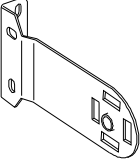
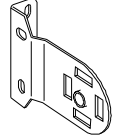
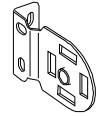
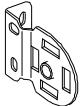
Splices and Railroading:

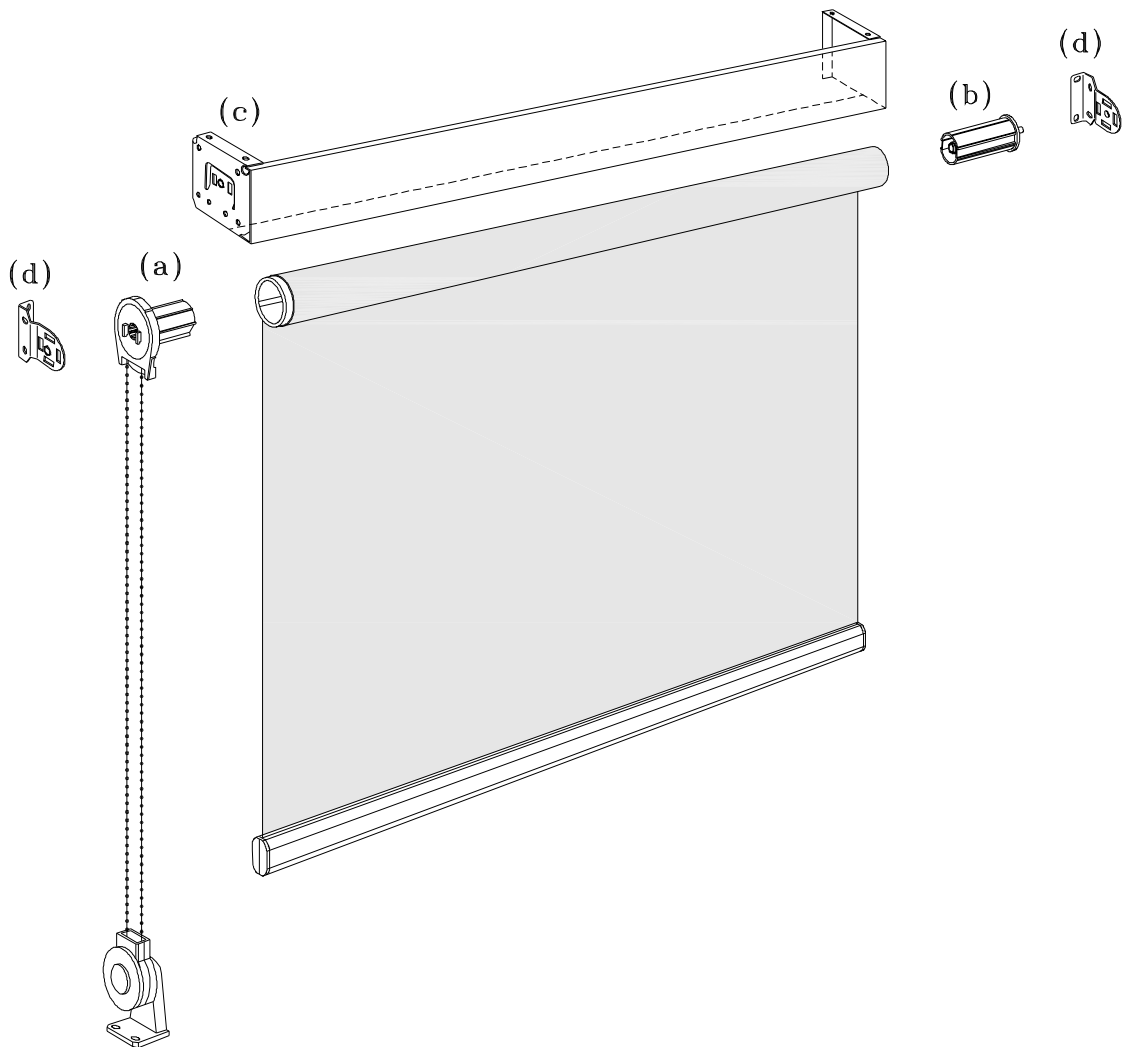
*Shades wider than the fabric can be railroaded or spliced. Two splices create 3 panels which are placed evenly from the sides of the shade and are covered with a ½" to ¾" wide strip of matching fabric.

Matching Patterns and Stripes:

*We will make every effort to work with the fabrics provided. We will match patterns and repeats as much as is reasonably possible. Fabric, however, as it comes from the mill is seldom woven perfectly square to itself, so in cases of minor variations on pattern squareness or line straightness:

**ATRIUM SHADE CO. CANNOT BE HELD RESPONSIBLE FOR REPLACEMENT
OF CUSTOMER'S FABRIC**

 <p>(a)</p>	 <p>(b)</p>	 <p>(c)</p>	 <p>(d) SL660 1.5"proj.</p>
 <p>SL690 2.875" proj</p>	 <p>SL680 2" proj.</p>	 <p>NB660 1.5" proj.</p>	 <p>NB650 1.25" proj.</p>



SKYLINE ROLLESE ROLLER SHADE

Specifications

Atrium Spring-Catch Roller Shades



Replaceable drive springs are made of durable, coated, spring steel and the low friction polypropylene housing provides smooth, quiet operation.



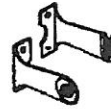
Brackets are available for inside mount (regular or reverse roll), ceiling mount, outside mount, and extended outside mount.



inside mount



outside mount



extended outside mount



locking brackets
inside or outside
mount

S p r i n g s

Springs vary from 11" to 24" in length and are sized relative to the weight of the shade to give adequate lift.

Spring catch mechanism shall be coated spring steel.

Spring mechanism shall be the ball bearing type with 3 catches per revolution of the shade.

Housing and spring shaft shall be made of high impact polypropylene.

R o l l e r s

Aluminum Roller shall be a heavy walled aluminum tube of sufficient diameter and wall thickness to prevent excessive sagging along it's length.

Tube Diameter	Wall Thickness
1"	.065"
1 1/2"	.085"
2"	.065"

E n d P l u g s

Housing shall be made of a shatter proof polyethylene material.

Pin shall be hardened steel.

B o t t o m T r e a t m e n t

Shade fabric shall be folded up and sewn. A rigid 1" aluminum slat shall be inserted into the sewn hem

B r a c k e t s

Brackets shall be made from galvanized steel for universal applications. Inside, outside or ceiling, right or left hand, horizontal, vertical or recessed mounting.