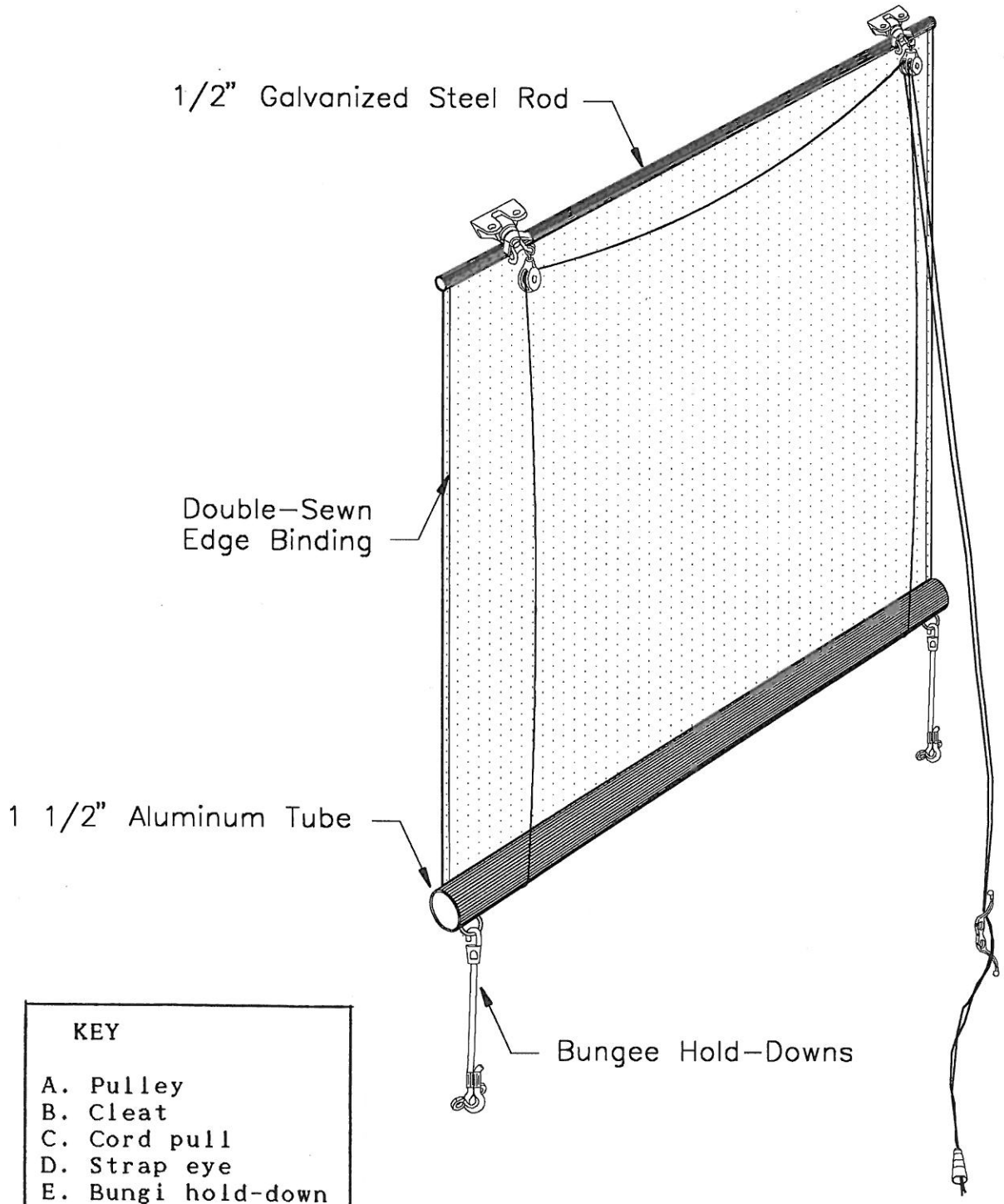


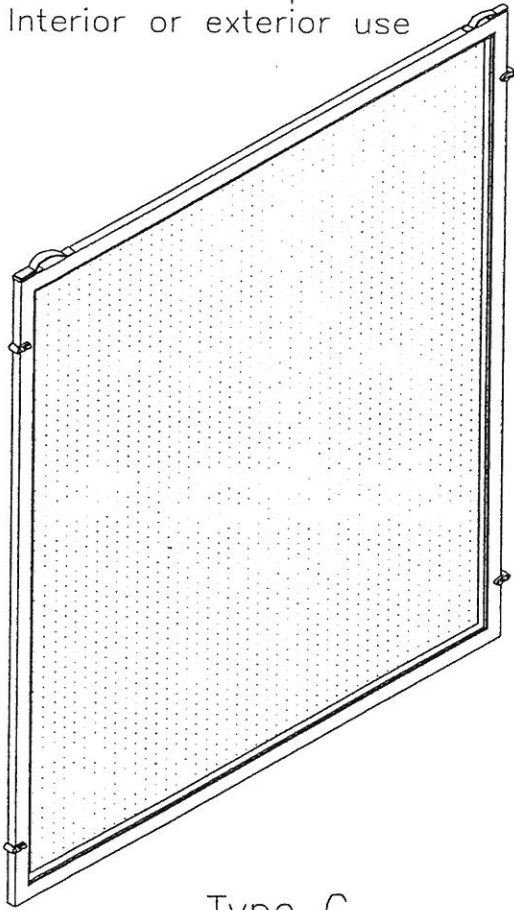
"Classic" Cord & Pulley Sunshade



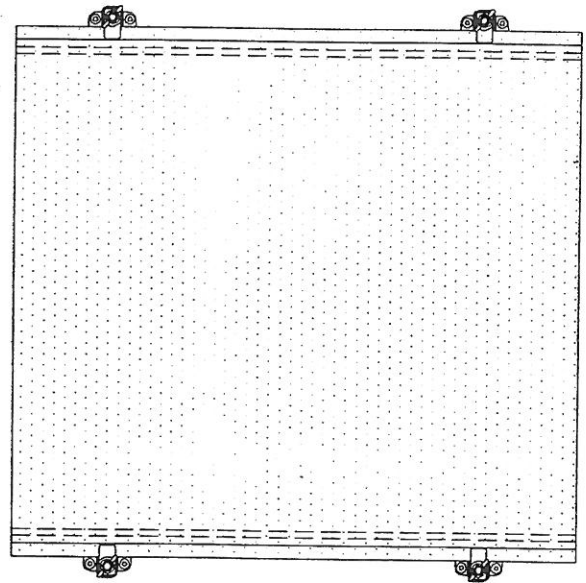
- KEY**
- A. Pulley
 - B. Cleat
 - C. Cord pull
 - D. Strap eye
 - E. Bungi hold-down
 - F. Rod clamp

Solar screen panels

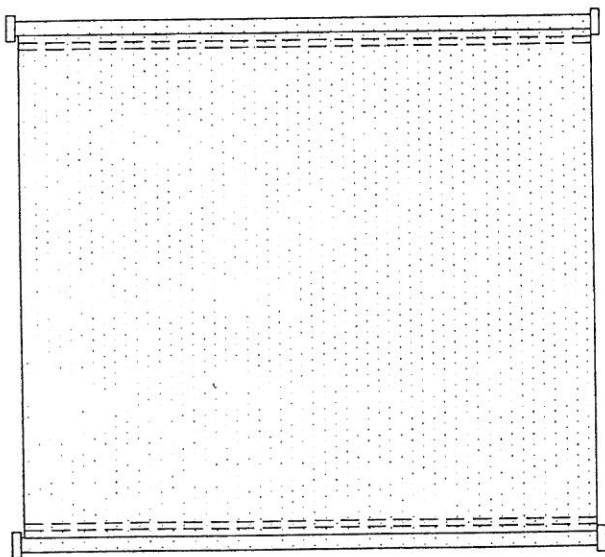
Type A
Framed screen panel
Interior or exterior use



Type B
Rod and clamp type
Exterior use



Type C
Tension rod panel
Interior use



Type D
Soft screen panel
with grommets or snaps. Exterior use

